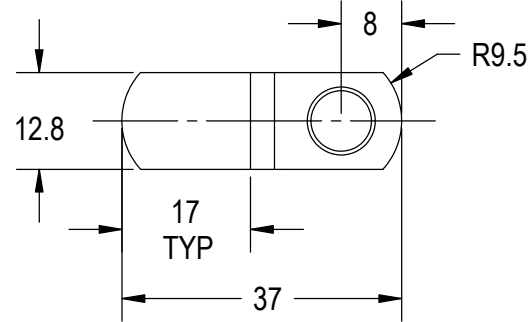
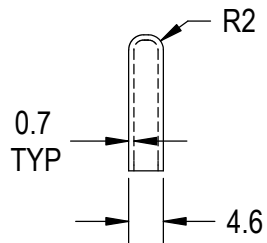
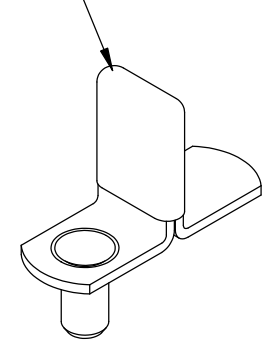


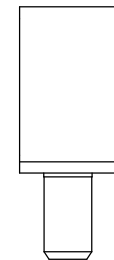
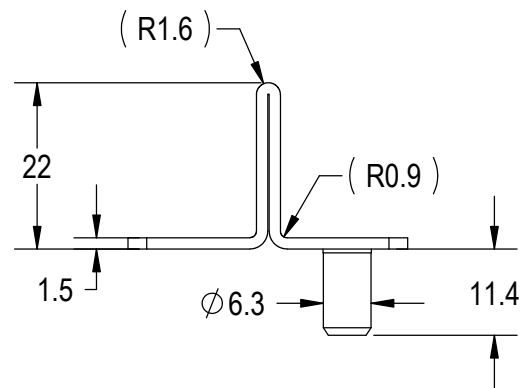
BROWN SLEEVE



BROWN SLEEVE



SUPPORT W/ SLEEVE



DRAWN BY: D. JOHNSON	SCALE: 1 : 1	DATE: 08/29/03
-------------------------	-----------------	-------------------

**HARDWARE RESOURCES**

4319 MARLENA ST, BOSSIER CITY, LA 71111

PART NAME: 7/8" SHELF SUPPORT WITH SLEEVE

MATERIAL: STEEL

ITEM NO: 1915AC

PLATING: AC

**TOLERANCES**

UNLESS OTHERWISE SPECIFIED  
DIMENSIONS AND TOLERANCING  
ARE IN MILLIMETERS (INCHES)

.X ±.1  
.XX ±.03  
.XXX ±.005

SHT NO.  
1 OF 1